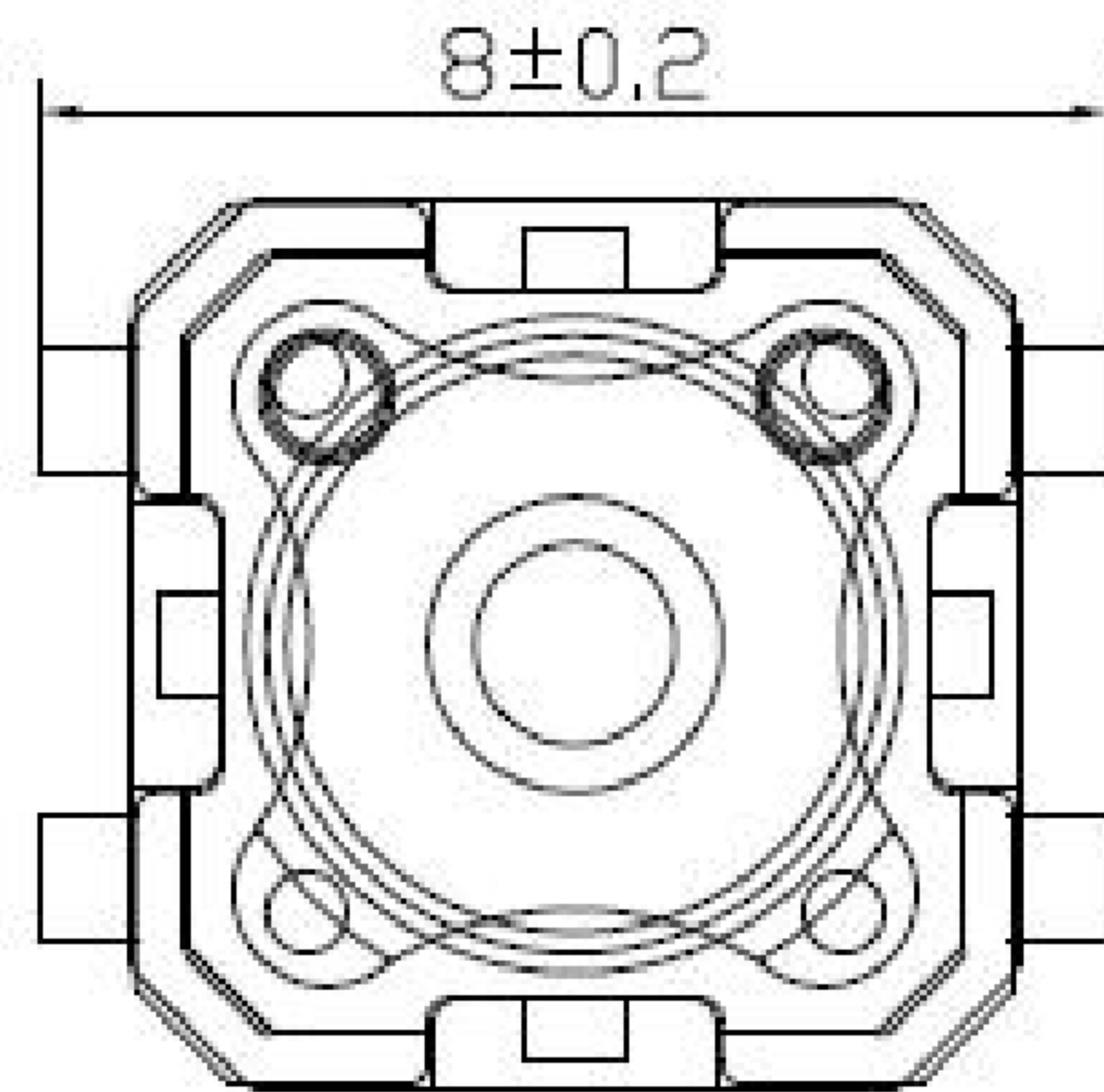
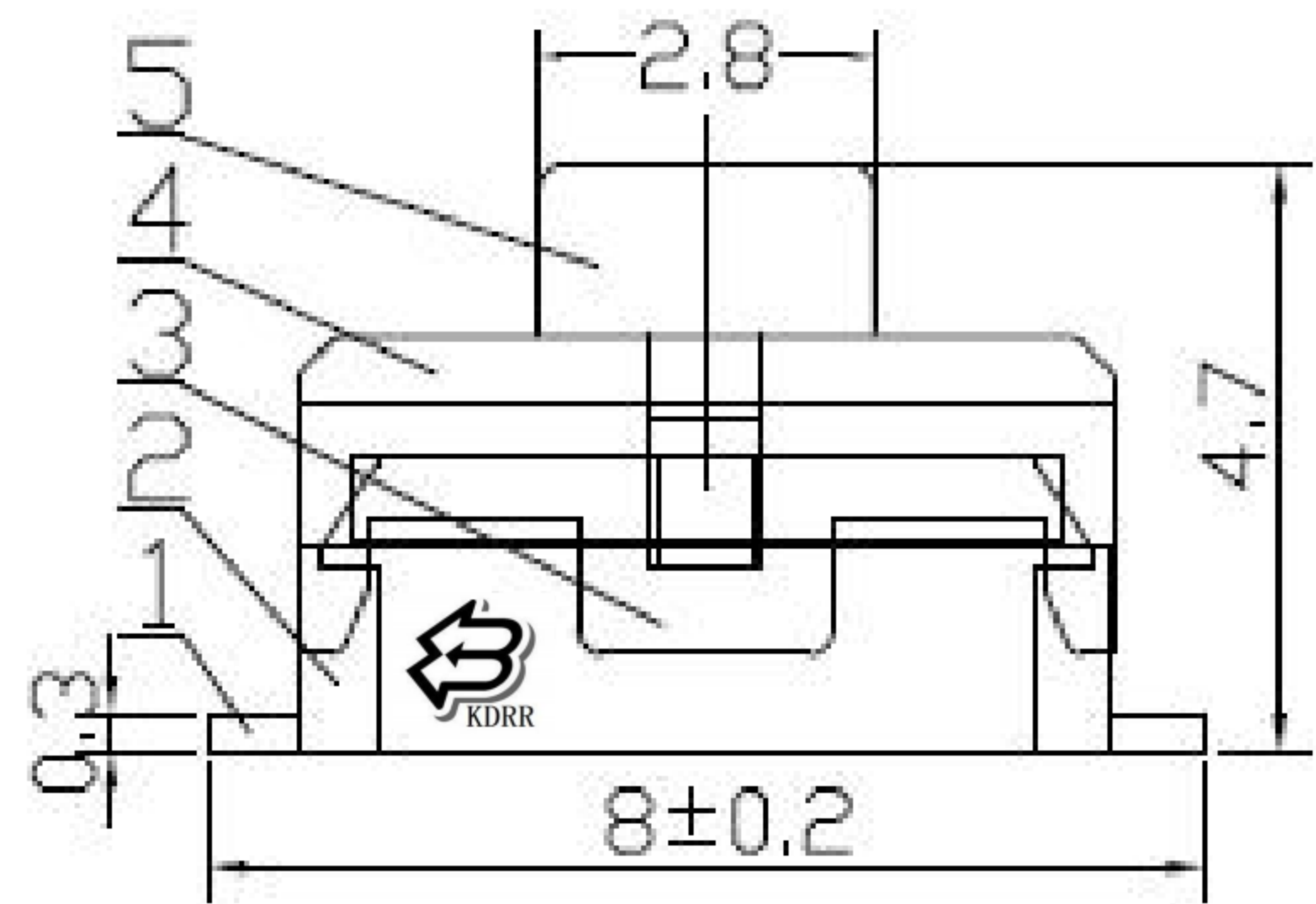
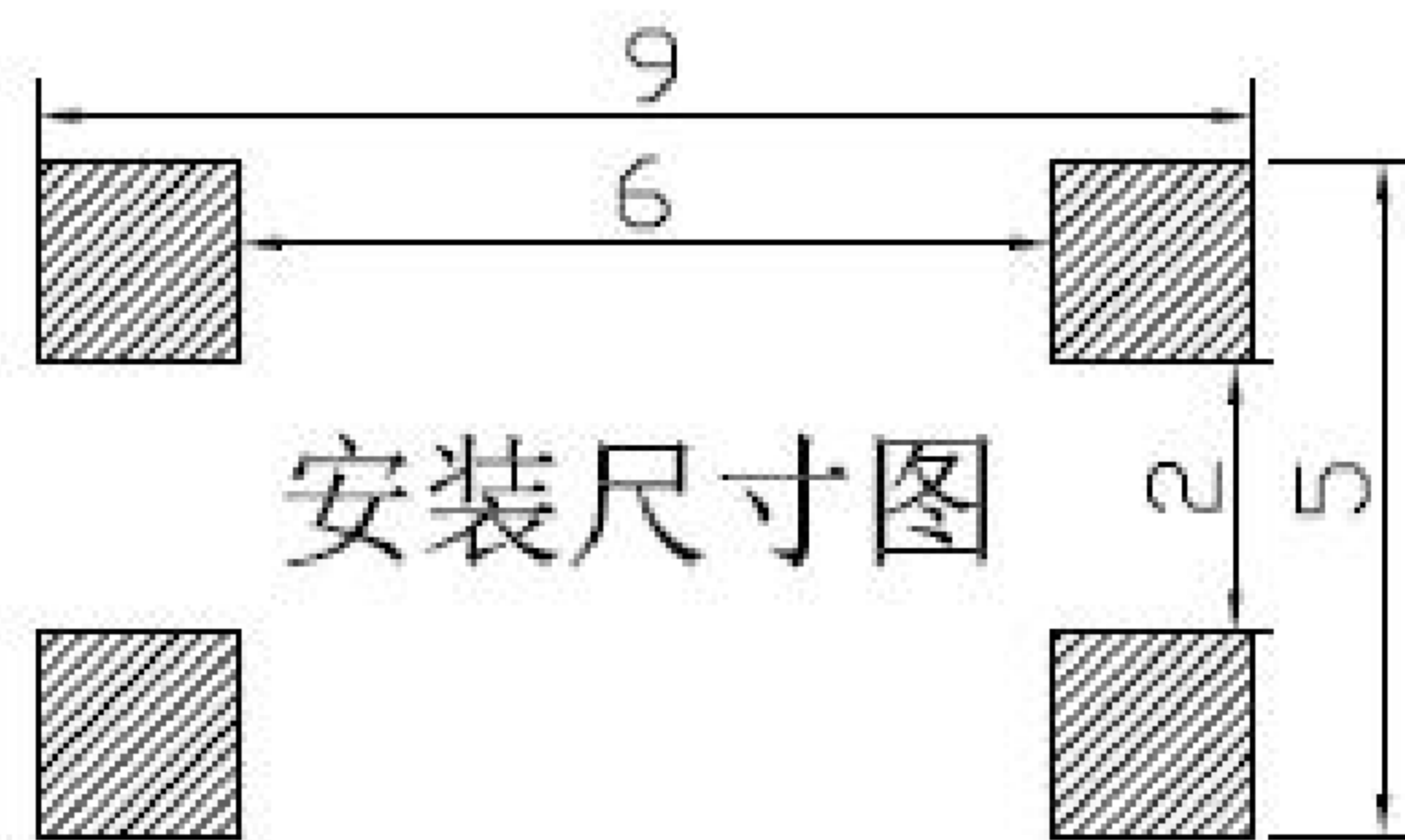
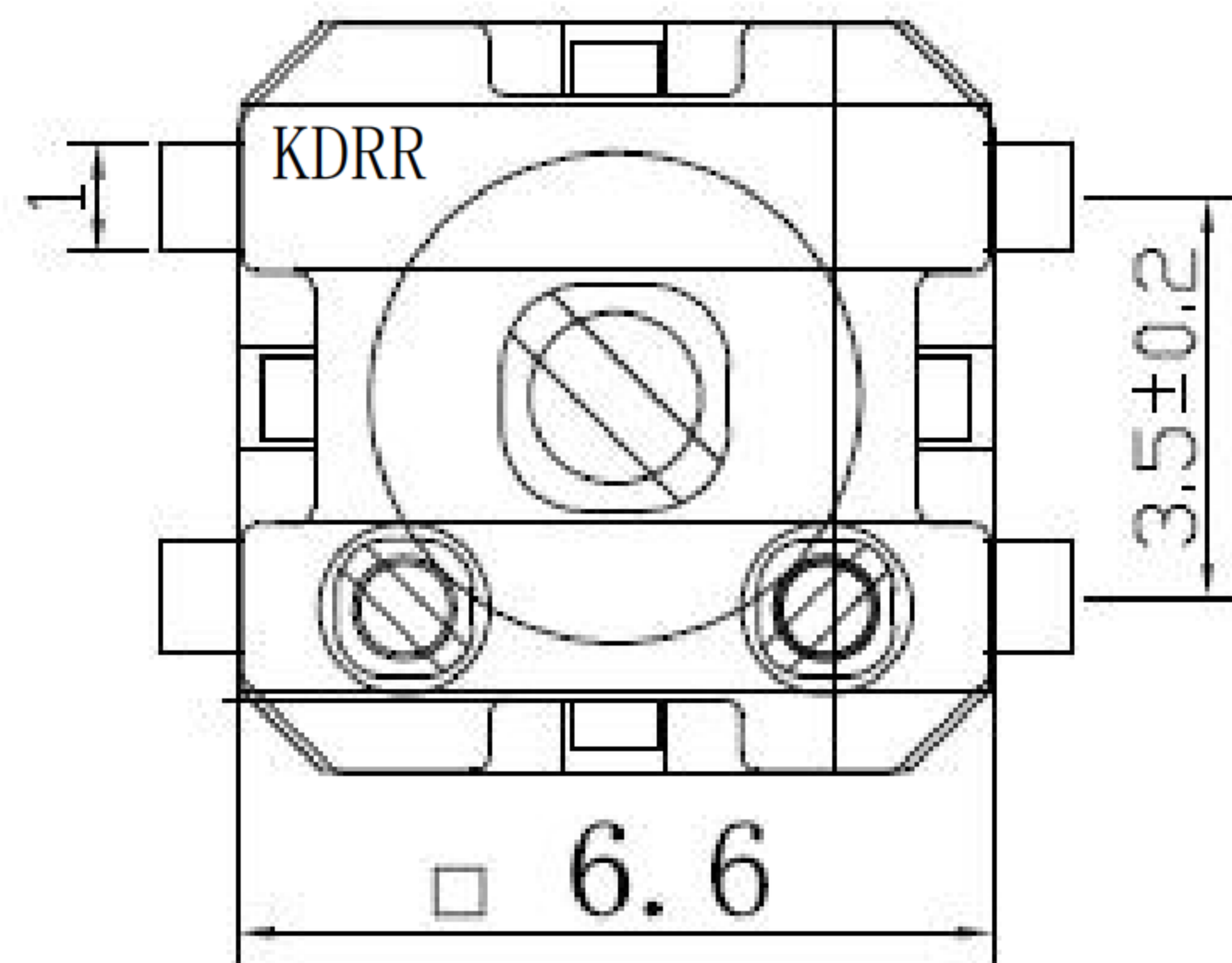
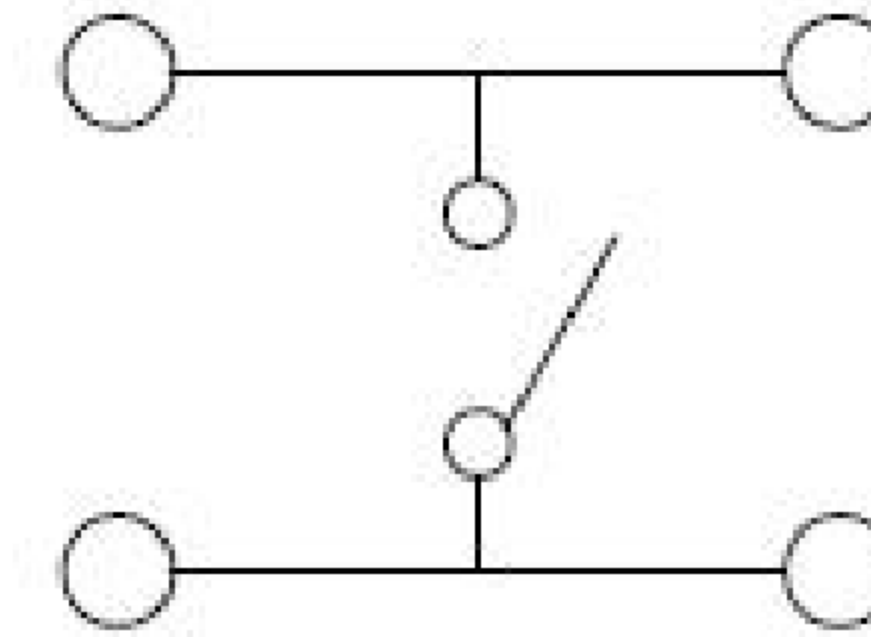


IP67



CIRCUIT DIAGRAM



安装尺寸图

PCB LAYOUT

SPECIFICATIONS

Rating	DC 12V 50 mA Max.
Contact Resistance	500 mΩ Max.
Insulation Resistance	100 V DC , 100 MΩ Min.
Operating Temperature	-20°C ~ +70°C
Operating Force	160 ± 50gf
Operating Life (cycles)	1000000

NO.	PART NAME	QTY	MATERIAL	SPECIAL DEAL
1	BRACKET	1	LCP	WHITE
2	BASE FRAME	1	LCP	WHITE
	TERMINAL	1	PHOSPHOR BRONZE	SILVER PLATING
3	SPRING PLATE	1	STAINLESS STEEL	SILVER PLATING
4	ACTUATOR	1	PA6T	WHITE
5	FRAME	1	STAINLESS STEEL	TIN PLATING
	L&D	1		



东莞市高迪电子有限公司
Dong Guan KDRR Electronic Switch Jack Co., Ltd.

DRAWN BY: DATE
Ming Ming Zou 11/19/14
CHECKED BY: DATE
Ning Ning Su 11/19/14
APPROVED BY: DATE
Jia Xiang 11/19/14

MAT'L		TITLE	SWITCH
FINISH		MODLE	TACT SWITCH
SCALE	1 : 1	DWG NO.	
SHEET NO.	1 of 1	PART NO.	

TOLERANCE UNLESS OTHERWISE STATED:
 Up to 5 ±0.2
 Above 5 ~ 15 ±0.3
 Above 15 ~ 30 ±0.4
 Above 30 ~ 50 ±0.5
 Angle ±0.3°
 3RD. ANGEL'S
 UNITS MM

ITEM NO.	DESCRIPTION	DRAWN	DATE
2	更新料號	Jack	112618
1	新增材質表	Jack	092818

SIZE
A4
VER
R2